



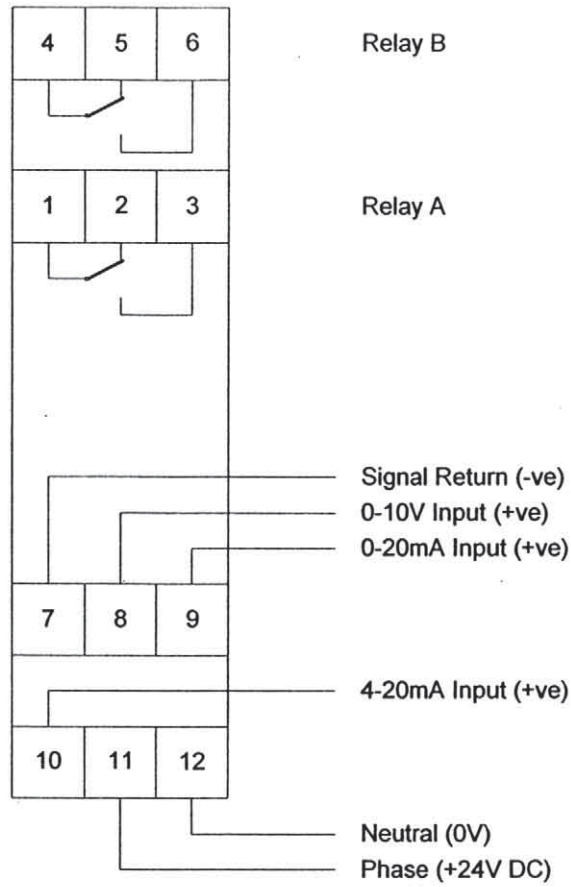
Specification

Supply	Either or	20 ... 30 Volts DC 20 ... 255 Volts ac; 2.3VA.
Input	Either or or	0 ... 10 Volts DC (maximum load 400k Ω); 0 ... 20mA (maximum load 50 Ω); 4 ... 20mA (maximum load 50 Ω).
Setpoints		In 1% steps from 0 ... 100% via front panel switches.
Output		2 off SPCO voltage- free relays; 250V ac; 2A max.; 100VA max.
Indicators	Green LED Red LEDs	Power on. Relays energised
Failsafe	High Level:	Switch set in RH position - Relay de-energises when input signal rises above setpoint.
	Low Level	Switch set in LH position - Relay de-energises when input signal falls below setpoint.
Hysteresis		With switch in LH position hysteresis is fixed at ~ 0.5%.
		For variable hysteresis set switch to RH position:
	High Level	Relay energises when signal falls below lower setpoint and remains energised until signal rises above upper setpoint. Relay then remains de-energised until signal falls below lower setpoint
	Low Level	Relay energises when signal rises above upper setpoint and remains energised until signal falls below lower setpoint. Relay then remains de-energised until signal rises above upper setpoint.
Temperature		Ambient: 0 ... 50 °C.
Dimensions		78mm x 23mm x 103mm

We reserve the right to alter the specification of this product without prior notice.



Wiring Schematic



DIP Switch Settings

